



41 100 979



Fits: IMO, LULU, MADISON, MEM, TARA, CL.1, LISSÉ, VAIA, META, CYO

- Rain panel with 3 different flow modes
- PURIFY RAIN, 200 x 160 mm, max. flow rate 23.5 l/min (at 3 bar)
- FULL RAIN, 360 x 280 mm, max. flow rate 13.6 l/min (at 3 bar)
- rain curtain 720 x 540mm, 124 nozzles
- cover plate, stainless steel 1020 x 820 x 2 mm
- 3x flexible connection hose 1/2" - female thread
- 4x M 10 heavy-duty bolt
- pre-fitted, stainless steel enclosure 990 x 790 x 128 mmmm
- 2 hinges and safety chains

| | | |
|---|-------------------------|---------------|
|  | Brushed Stainless Steel | 41 100 979-86 |
|  | Stainless Steel | 41 100 979-85 |

technical data:

- minimum flow rate: 35 l/min (all three rain modes together)
- flow at 3bar flow pressure in conjunction with xTOOL: 43l/min
- minimum flow pressure 2 bar
- max. flow pressure 4 bar
- weight: 50kg

technical data:

plumbing:

- recommended water hardness: 6-7 °dH - if the water is harder, integrate a water softener that uses the ion exchange principle into the feed pipe.
- for the optimum choice of hot water storage device - taking into consideration additional drawing-off points and the frequency with which RainSky M is used - the specific demand needs to be assessed.
- for choosing the drainage, taking into consideration the discharge of all the products in the shower, the specific demand needs to be assessed.
Recommendation: Floor drain (connected rating) = 1.5l/sec, drainage rate DN 70
- feed pipe (hot/cold): 2x DN 20

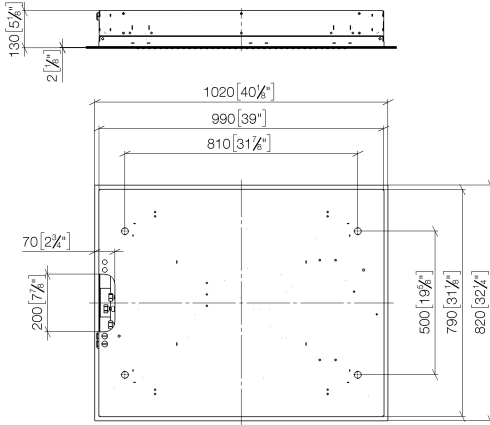
electrical:

- earth-leakage circuit-breaker 30 mA provided
- feeder 3 x 1.5mm² NYM
- equipotential bonding 1 x 4mm²
- customer must provide a light switch outside the shower area (outside safety zone 2 under DIN VDE 0100, Part 701)

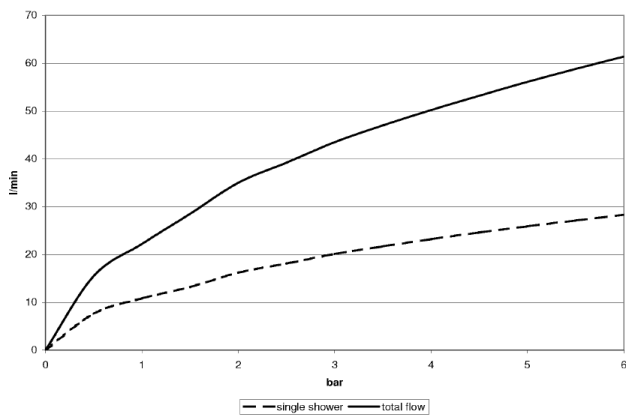
41 100 979

mm [inches]

M 1:10



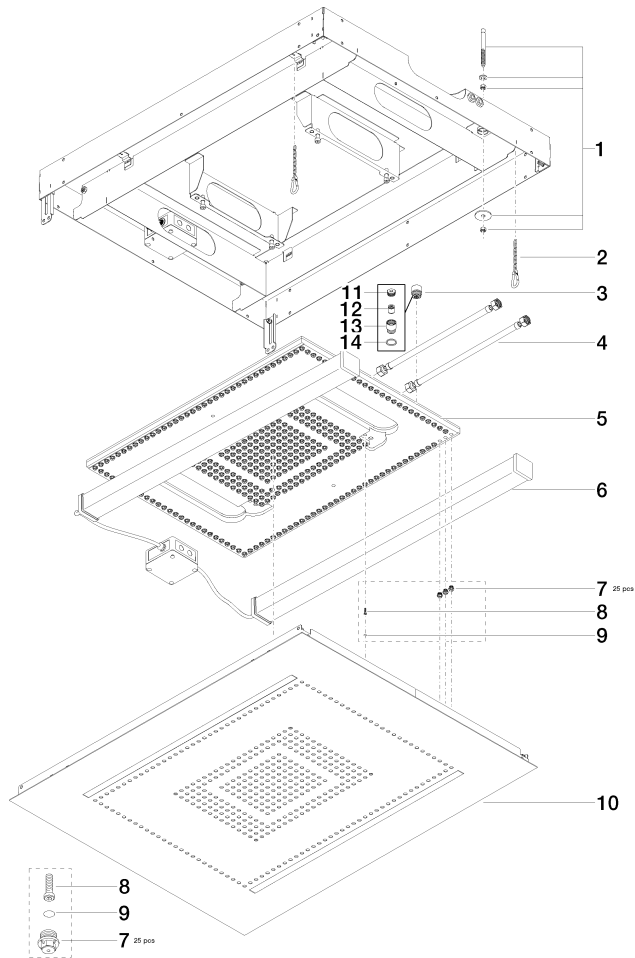
Flow rate chart



Certificates

LGA_18147.

41 100 979
Parts for other
finishes can be found
here: [Stainless Steel](#)



Spare parts list

| No. | Item Number | Name | Quantity used | Delivery time |
|-----|--------------------|---|---------------|---------------|
| 1 | 04 30 35 006 01 90 | fixing set | 4 | 2 |
| 2 | 04 21 50 004 00 90 | accessories | 2 | 2 |
| 3 | 90 24 03 027 02 90 | nipple | 4 | 2 |
| 4 | 12 502 970 90 | High pressure hose 1/2" x 1/2" x 400 mm - | 4 | 2 |
| 5 | 04 12 05 004 00 90 | shower | 2 | 2 |
| 6 | 90 10 01 260 00 90 | conversion kit | 1 | 2 |
| 7 | 90 29 03 035 00 90 | insert | 15 | 2 |
| 8 | 09 30 30 047 90 | screw | 4 | 2 |
| 9 | 09 31 20 036 90 | plug | 4 | 2 |
| 10 | 04 11 02 113 03-86 | cover | 1 | 30 |
| 11 | 09 24 04 112 10 90 | nipple | 4 | 2 |
| 12 | 09 23 01 042 90 | insert | 4 | 2 |
| 13 | 09 24 03 027 90 | nipple | 4 | 2 |
| 14 | 09 14 20 025 90 | seal | 4 | 2 |