

**IMO Washstand fitting with electronic opening and closing function without pop-up waste - Brushed Light Gold**








IMO

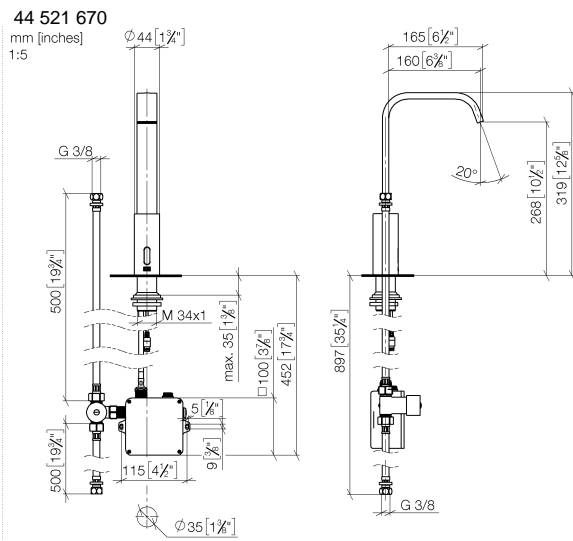
44 521 670



- Infrared sensor technology
- 165mm projection
- height of mixer 319 mm
- height up to aerator 268 mm
- hole diameter 35 mm
- fixed spout
- max. flow 5.7 l/min
- rectangular, air-enriched flow
- suitable for thermal disinfection
- Automatic shut-off after pre-set time is reached
- Indirect temperature control (undercounter)
- Control box included
- Adjustable sensor detection range
- Battery or plug-in power supply operated (batteries not included)
- 4x AA (1.5V) batteries required
- lead-free
- 1x screw-in M 8 x 1 pressure hose, leak-tested
- This product can help a building meet the requirements of Green Building Rating Systems, e.g. LEED®, BREEAM®, DGNB
- WRAS 2211011

Batteries not included

|   |                                |               |
|---|--------------------------------|---------------|
|  | Brushed Light Gold             | 44 521 670-27 |
|  | Chrome                         | 44 521 670-00 |
|  | Brushed Platinum               | 44 521 670-06 |
|  | Platinum                       | 44 521 670-08 |
|  | Brushed Durabronze (23kt Gold) | 44 521 670-28 |
|  | Matte Black                    | 44 521 670-33 |
|  | Brushed Chrome                 | 44 521 670-93 |



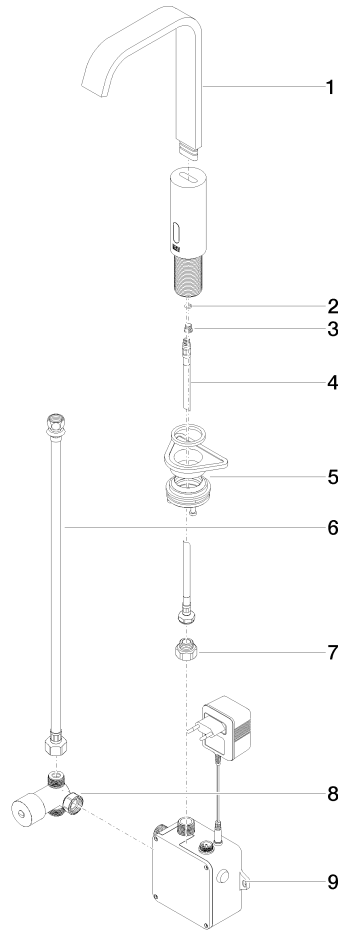
### Flow rate chart



### Certificates

Belgaqua\_23-210- WRAS\_2211011.  
27\_1.

44 521 670  
Parts for other finishes can be found here: Chrome



### Spare parts list

| No.  | Item Number        | Name                  | Quantity used | Delivery time |
|--|--------------------|-----------------------|---------------|---------------|
| 1  | 90 28 22 376 00-27 | spout                 | 1             | -             |
| Spare part can no longer be ordered, please order the replacement item |                    |                       |               |               |
| 2  | 09 14 10 132 90    | seal                  | 1             | 2             |
| 3  | 09 31 20 027 10-00 | plug                  | 1             | 10            |
| 4  | 04 30 04 100 00 90 | hose                  | 1             | 2             |
| 5  | 04 23 10 044 08 90 | fixing set            | 1             | 2             |
| 6  | 12 506 970 90      | High pressure hoses - | 1             | 2             |
| 7  | 09 24 03 185-00    | nipple                | 1             | 10            |
| 8  | 90 30 50 081 00 90 | valve                 | 1             | 2             |
| 9  | 90 10 01 247 00 90 | valve box             | 1             | 10            |