

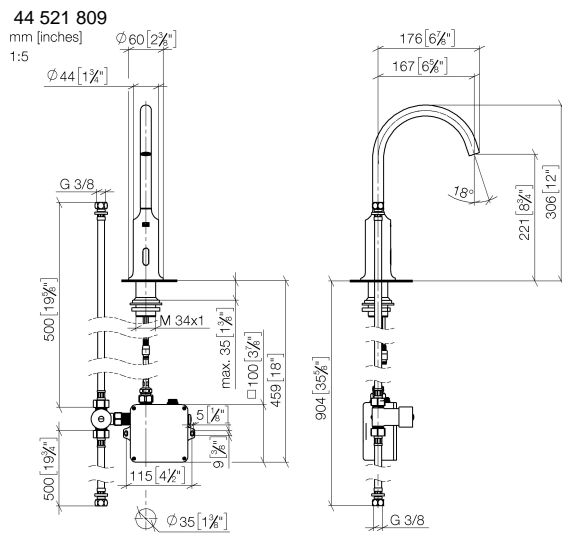
44 521 809



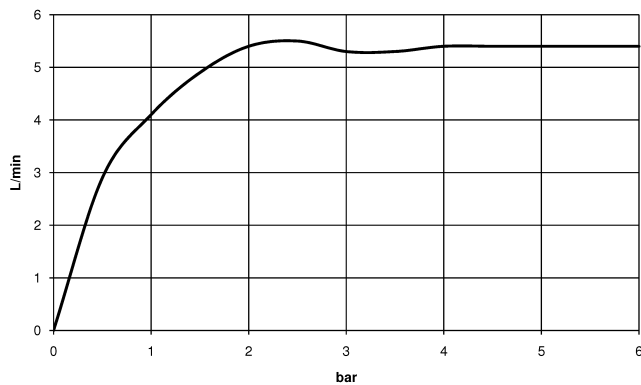
- Infrared sensor technology
- 167mm projection
- height of mixer 306 mm
- height up to aerator 221 mm
- hole diameter 35 mm
- fixed spout
- max. flow 5.7 l/min
- circular, air-enriched flow
- suitable for thermal disinfection
- Automatic shut-off after pre-set time is reached
- Indirect temperature control (undercounter)
- Control box included
- Adjustable sensor detection range
- Battery or plug-in power supply operated (batteries not included)
- 4x AA (1.5V) batteries required
- lead-free
- 1x screw-in M 8 x 1 pressure hose, leak-tested
- This product can help a building meet the requirements of Green Building Rating Systems, e.g. LEED®, BREEAM®, DGNB
- WRAS 2211011

Batteries not included

|   |                                |               |
|---|--------------------------------|---------------|
|    | Platinum                       | 44 521 809-08 |
|    | Chrome                         | 44 521 809-00 |
|    | Brushed Platinum               | 44 521 809-06 |
|    | Dark Chrome                    | 44 521 809-19 |
|    | Brushed Durabronze (23kt Gold) | 44 521 809-28 |
|    | Matte Black                    | 44 521 809-33 |
|    | Brushed Bronze                 | 44 521 809-42 |
|    | Brushed Champagne (22kt Gold)  | 44 521 809-46 |
|    | Champagne (22kt Gold)          | 44 521 809-47 |
|   | Brushed Chrome                 | 44 521 809-93 |
|  | Brushed Dark Platinum          | 44 521 809-99 |



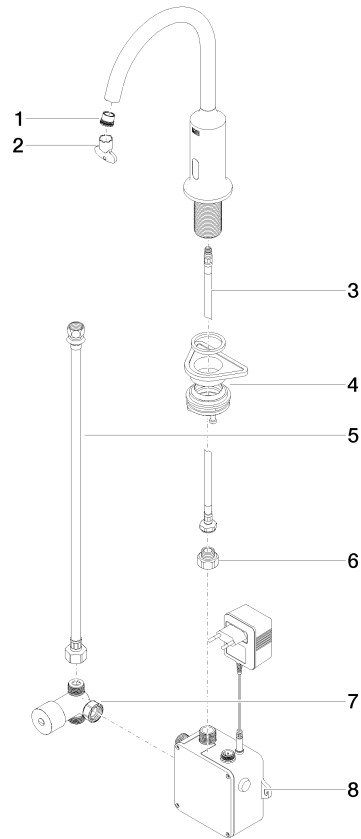
Flow rate chart



Certificates

Belgaqua\_23-210- 27\_1. LGA\_38245. WRAS\_2211011. GDV\_0400278.

44 521 809  
Parts for other  
finishes can be found  
here: Chrome



### Spare parts list

| No. | Item Number        | Name                  | Quantity used | Delivery time |
|-----|--------------------|-----------------------|---------------|---------------|
| 1   | 09 29 03 126 90    | aerator               | 1             | 2             |
| 2   | 90 30 09 028 00 90 | key                   | 1             | 2             |
| 3   | 04 30 04 100 00 90 | hose                  | 1             | 2             |
| 4   | 04 23 10 044 08 90 | fixing set            | 1             | 2             |
| 5   | 12 506 970 90      | High pressure hoses - | 1             | 2             |
| 6   | 09 24 03 185-00    | nipple                | 1             | 10            |
| 7   | 90 30 50 081 00 90 | valve                 | 1             | 2             |
| 8   | 90 10 01 247 00 90 | valve box             | 1             | 10            |