

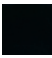
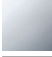



EDITION PRO Bath grip - Matte Black

83 020 626



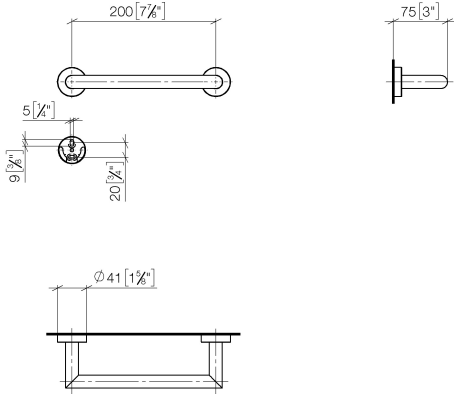
- gauge 200 mm
- width 241 mm
- height 41 mm
- rosette Ø 41 mm
- 75mm projection

	Matte Black	83 020 626-33
	Chrome	83 020 626-00
	Brushed Chrome	83 020 626-93

EDITION PRO Bath grip - Matte Black

83 020 626

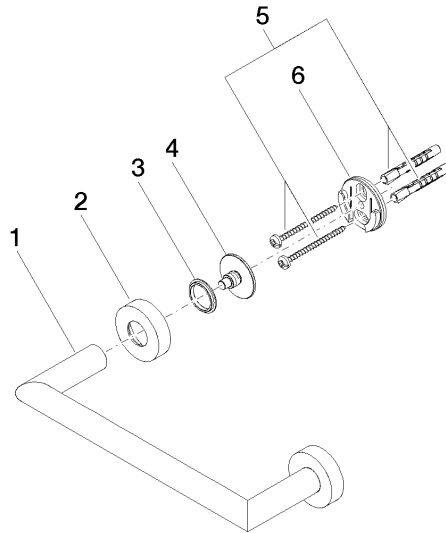
mm [inches]



EDITION PRO Bath grip - Matte Black

83 020 626

Parts for other finishes can be found here: [Chrome](#)



Spare parts list

No.	Item Number	Name	Quantity used	Delivery time
1	05 28 22 545 00-33	holder	1	30
2	08 27 97 502-33	rosette	2	30
3	08 30 11 517 90	ring	2	2
4	08 17 97 560 90	holder	2	2
5	05 30 31 025 00 90	fixing set	1	2
6	08 17 97 501 07	holder	2	2