

TARA Bath grip - Chrome

83 030 892 Product version from 4/1/2024



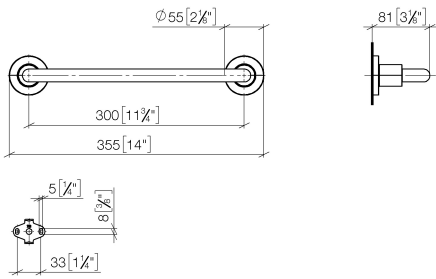
- gauge 300 mm
- width 355mm
- height 55 mm
- rosette Ø 55 mm
- 80mm projection

	Chrome	83 030 892-00
	Brushed Platinum	83 030 892-06
	Platinum	83 030 892-08
	Dark Chrome	83 030 892-19
	Brushed Durabronze (23kt Gold)	83 030 892-28
	Matte Black	83 030 892-33
	Brushed Bronze	83 030 892-42
	Brushed Champagne (22kt Gold)	83 030 892-46
	Champagne (22kt Gold)	83 030 892-47
	Brushed Chrome	83 030 892-93
	Brushed Dark Platinum	83 030 892-99

TARA Bath grip - Chrome

83 030 892 Product version from 4/1/2024

mm [inches]



Codes & Standards

TÜV-Zeichen

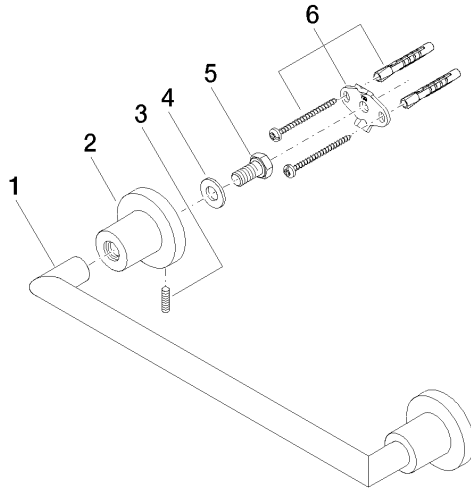
Certificates

TÜV_B0358530023 TÜV_B0358530023

TARA Bath grip - Chrome

83 030 892 Product version from 4/1/2024

Parts for other
finishes can be found
here: Brushed
Platinum



Spare parts list

No.	Item Number	Name	Quantity used	Delivery time
1	05 28 22 587 00-00	holder	1	10
2	08 17 89 505-00	holder	2	10
3	04 31 11 113 00 90	pin	2	2
4	09 30 11 046 90	disc	2	2
5	09 30 30 071 90	screw	2	2
6	05 17 20 739 00 90	fixing set	2	2