

83 045 892 Product version from 4/1/2024



- gauge 450 mm
- width 505mm
- height 55 mm
- rosette Ø 55 mm
- 81mm projection

Fits TARA

	Chrome	83 045 892-00
	Brushed Platinum	83 045 892-06
	Platinum	83 045 892-08
	Dark Chrome	83 045 892-19
	Brushed Durabronze (23kt Gold)	83 045 892-28
	Matte Black	83 045 892-33
	Brushed Bronze	83 045 892-42
	Brushed Champagne (22kt Gold)	83 045 892-46
	Champagne (22kt Gold)	83 045 892-47
	Brushed Chrome	83 045 892-93
	Brushed Dark Platinum	83 045 892-99

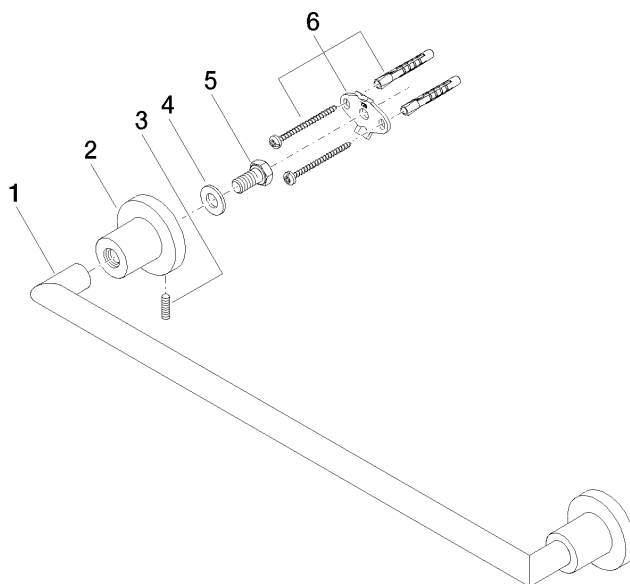
83 045 892 Product version from 4/1/2024

mm [inches]



83 045 892 Product version from 4/1/2024

Parts for other finishes can be found here: [Brushed](#) [Platinum](#)



Spare parts list

No.	Item Number	Name	Quantity used	Delivery time
3	04 31 11 113 00 90	pin	2.00	2
2	08 17 89 505-00	holder	2.00	10
4	09 30 11 046 90	disc	2.00	2
1	05 28 22 588 00-00	holder	1.00	10
5	09 30 30 071 90	screw	2.00	2
6	05 17 20 739 00 90	fixing set	2.00	2