

83 060 892



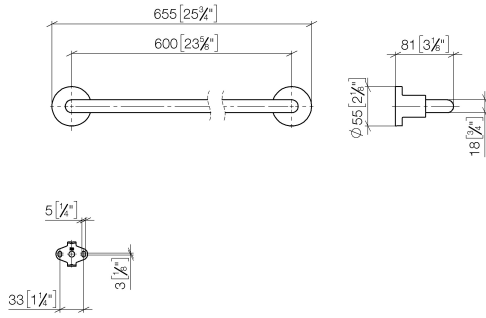
- gauge 600 mm
- width 655mm
- height 55 mm
- rosette Ø 55 mm
- 81mm projection

Fits TARA

	Platinum	83 060 892-08
	Chrome	83 060 892-00
	Brushed Platinum	83 060 892-06
	Dark Chrome	83 060 892-19
	Brushed Durabronze (23kt Gold)	83 060 892-28
	Matte Black	83 060 892-33
	Brushed Bronze	83 060 892-42
	Brushed Champagne (22kt Gold)	83 060 892-46
	Champagne (22kt Gold)	83 060 892-47
	Brushed Chrome	83 060 892-93
	Brushed Dark Platinum	83 060 892-99

83 060 892

mm [inches]



83 060 892

Product version from 4/1/2024

Parts for other
finishes can be found
here: [Chrome](#)





83 060 892

Spare parts list

Product version from 4/1/2024

No.	Item Number	Name	Quantity used	Delivery time
	05 28 22 589 00-08	holder	11	40