

Tissue holder without cover - Champagne (22kt Gold)

MEM

83 500 780

- width 140mm
- height 35 mm
- 85mm projection

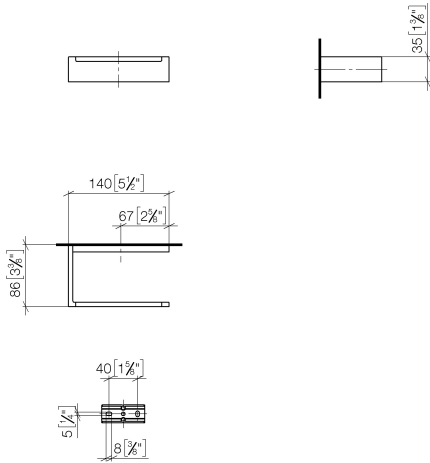


Fits: MEM, CYO

| | | |
|---|--------------------------------|---------------|
|  | Champagne (22kt Gold) | 83 500 780-47 |
|  | Chrome | 83 500 780-00 |
|  | Brushed Platinum | 83 500 780-06 |
|  | Platinum | 83 500 780-08 |
|  | Dark Chrome | 83 500 780-19 |
|  | Brushed Durabronze (23kt Gold) | 83 500 780-28 |
|  | Brushed Champagne (22kt Gold) | 83 500 780-46 |
|  | Brushed Dark Platinum | 83 500 780-99 |

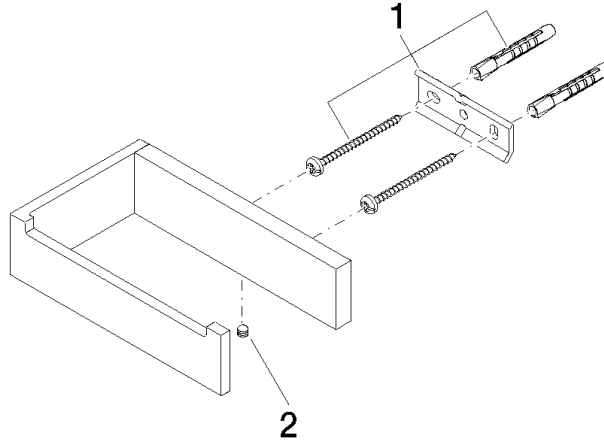
83 500 780

mm [inches]



83 500 780

Parts for other finishes can be found here: [Chrome](#)



Spare parts list

| No. | Item Number | Name | Quantity used | Delivery time |
|-----|--------------------|------------|---------------|---------------|
| 1 | 05 17 20 718 00 90 | fixing set | 1 | 2 |
| 2 | 90 31 11 112 00 90 | pin | 1 | 2 |