

CYO eSET Touchfree Basin mixer without pop-up waste without temperature setting - Chrome

CYO

ST 010 107 2R11



- 167mm projection
 - fixed spout
 - rectangular, air-enriched flow
 - height of mixer 198 mm
 - height up to aerator 133 mm
 - 1/2" connection
 - hole diameter 35 mm
 - 2x 1/2" x 1/2" high pressure hose
 - max. flow 4.5 l/min
 - lead-free
 - automatic hygiene flush
 - suitable for thermal disinfection
 - adjustable follow-up time
 - high-frequency sensors with self-calibration
 - magnetic valve
 - 100-240 V AC / 12 V DC, 50-60 Hz, 18 W power supply unit, incl. country-specific adapter set
 - This product can help a building meet the requirements of Green Building Rating Systems, e.g. LEED®, BREEAM®, DGNB
- Cannot be combined with basins in conducting materials (e.g. steel, river stone).**
Cannot be combined with basins that have a closing drain.
ATTENTION: Separate terms and conditions for electronic articles are applicable.

Individual components of this set

You need the following components for this set



1x

42 766 970 90



1x

13 717 811-00



CYO eSET Touchfree Basin mixer without pop-up waste without temperature setting - Chrome

CYO

ST 010 107 2811

CYO eSET Touchfree Basin mixer without pop-up waste without temperature setting - Chrome

ST 010 107 2R11



Fits: IMO, LULU, MADISON, MEM, TARA, CL.1, LISSÉ, VAIA, META, CYO

- automatic hygiene flush
- suitable for thermal disinfection
- adjustable follow-up time
- high-frequency sensors with self-calibration
- magnetic valve
- 100-240 V AC / 12 V DC, 50-60 Hz, 18 W power supply unit, incl. country-specific adapter set
- WRAS 1906116

**Cannot be combined with basins in conducting materials (e.g. steel, river stone).
Cannot be combined with basins that have a closing drain.**

ATTENTION: Separate terms and conditions for electronic articles are applicable.

Cannot be combined with basins in conducting materials (e.g. steel, river stone).

Cannot be combined with basins that have a closing drain.

ATTENTION: Separate terms and conditions for electronic articles are applicable.

Required miscellaneous



eSET Touchfree Basin mixer without temperature setting for combining with free-standing fittings -

35 742 970 90

Required miscellaneous



eSET Touchfree Basin mixer without temperature setting for combining with wall-mounted fittings -

35 743 970 90

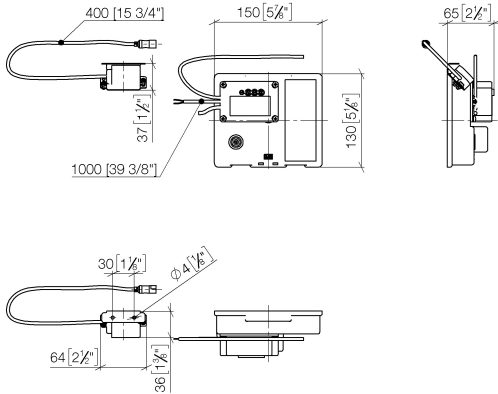
- min. recess depth 90 mm
- max. recess depth 125 mm

Recommended miscellaneous

Extension for Touchfree 500 mm - 12 765 970 90



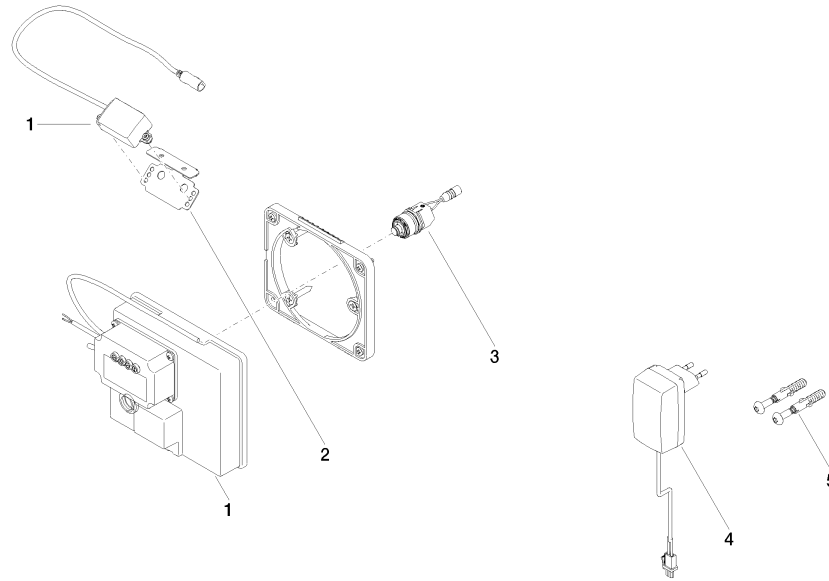
ST 010 107 2R11
mm [inches]



Certificates

LGA_29120.	WRAS_1906116.	IAPMO_EGS.	CE000001_eSet_Tou chfree_20171206_D E_signed.	CE000002_eSet_Tou chfree_20171206_E N_signed.
LGA_29119.				

ST 010 107 2R11



Spare parts list

No.	Item Number	Name	Quantity used	Delivery time
1	90 10 01 177 00 90	electronic accessories	1	2
2	90 17 20 199 00 90	holder	1	2
3	04 30 50 079 00 90	valve	1	2
4	04 10 01 050 00 90	power supply	1	60
5	04 30 31 024 01 90	fixing set	1	2








CYO eSET Touchfree Basin mixer without pop-up waste without temperature setting - Chrome

CYO

ST 010 107 2811



- 167mm projection
- fixed spout
- rectangular, air-enriched flow
- height of mixer 198 mm
- height up to aerator 133 mm
- hole diameter 35 mm
- 2x 1/2" x 1/2" high pressure hose
- max. flow 4.5 l/min
- lead-free
- This product can help a building meet the requirements of Green Building Rating Systems, e.g. LEED®, BREEAM®, DGNB
- WRAS 2107093

	Chrome	13 717 811-00
	Brushed Platinum	13 717 811-06
	Dark Chrome	13 717 811-19
	Brushed Durabronze (23kt Gold)	13 717 811-28
	Platinum / Brushed Platinum	13 717 811-36
	Durabronze / Brushed Durabronze (23kt Gold)	13 717 811-38
	Brushed Dark Platinum	13 717 811-99

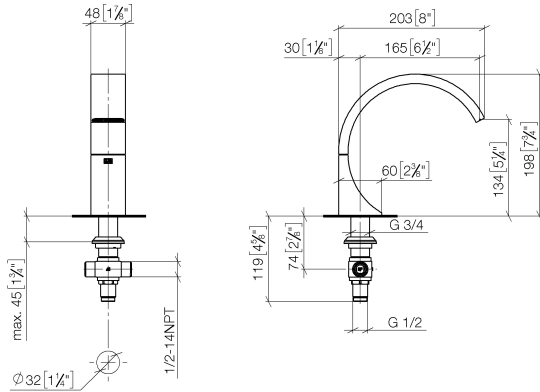


CYO eSET Touchfree Basin mixer without pop-up waste without temperature setting - Chrome

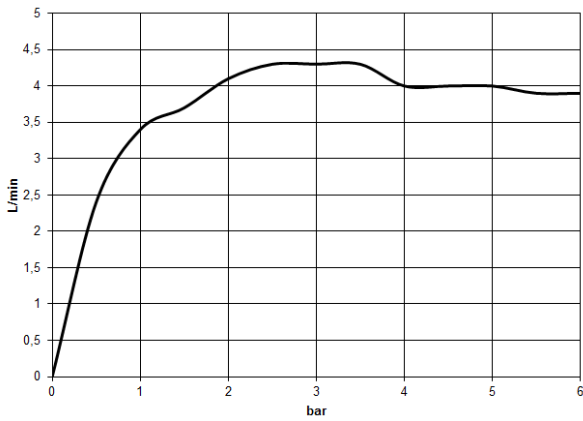
CYO

ST 010 107 2811

ST 010 107 2R11
mm [inches]



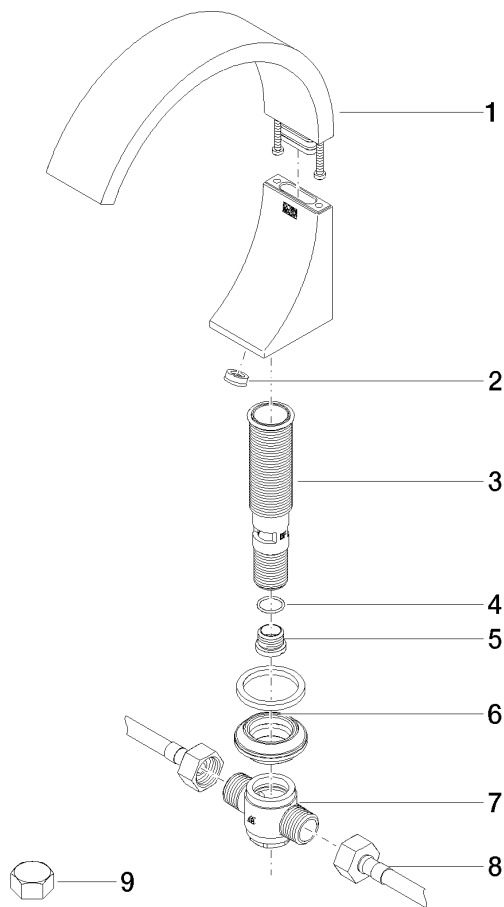
Flow rate chart



Certificates

LGA_38115. WRAS_2107093. IAPMO_8834 (2). IAPMO_N-4976. IAPMO_4976 (6).
IAPMO_6397.

ST 010 107 2R11



Spare parts list

No.	Item Number	Name	Quantity used	Delivery time
1	90 11 70 013 00-00	spout	1	10
2	09 23 01 163 90	flow reducer	1	2
3	90 30 01 033 00 90	base	1	2
4	09 14 10 017 90	seal	1	2
5	09 24 04 021 10 90	nipple	1	2
6	04 23 10 044 09 90	fixing set	1	2
7	90 17 11 020 10 90	distributor	1	2
8	04 30 04 096 00 90	hose	2	2
9	04 21 02 006 00 92	cap	2	2