

ST 060 112 4809



- cover plate Ø 124 mm
- rosette Ø 60 mm
- temperature control handle with safety limit stop at 38°C
- thermostat cartridge
- 2x head part with cut-to-length spindle and sleeve

	Champagne (22kt Gold)	ST 060 112 4809-47
	Chrome	ST 060 112 4809-00
	Brushed Platinum	ST 060 112 4809-06
	Platinum	ST 060 112 4809-08
	Dark Chrome	ST 060 112 4809-19
	Brushed Durabrass (23kt Gold)	ST 060 112 4809-28
	Brushed Bronze	ST 060 112 4809-42
	Brushed Champagne (22kt Gold)	ST 060 112 4809-46
	Brushed Dark Platinum	ST 060 112 4809-99

Individual components of this set

You need the following components for this set



1x 36 503 979-47



2x 36 607 809-47



VAIA xTOOL Thermostat module with 2 valves - Champagne (22kt Gold)








VAIA

ST 060 112 4809

ST 060 112 4809



- cover plate Ø 124 mm
- temperature control handle with safety limit stop at 38°C
- thermostat cartridge
- WRAS 2011026

	Champagne (22kt Gold)	36 503 979-47
	Chrome	36 503 979-00
	Brushed Platinum	36 503 979-06
	Platinum	36 503 979-08
	Durabronze (23kt Gold)	36 503 979-09
	Dark Chrome	36 503 979-19
	Light Gold	36 503 979-26
	Brushed Light Gold	36 503 979-27
	Brushed Durabronze (23kt Gold)	36 503 979-28
	Matte Black	36 503 979-33
	Brushed Bronze	36 503 979-42
	Brushed Champagne (22kt Gold)	36 503 979-46
	Brushed Chrome	36 503 979-93
	Brushed Dark Platinum	36 503 979-99

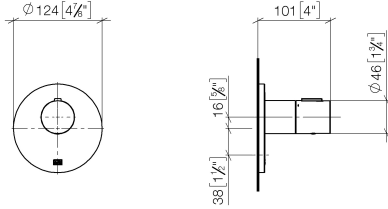
Required miscellaneous



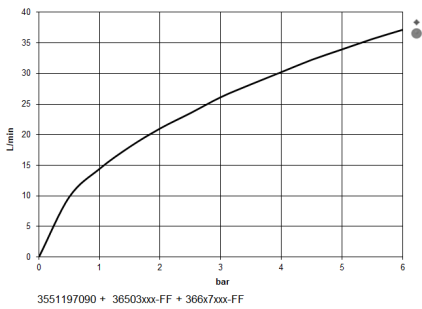
- xTOOL Concealed thermostat module without volume control -** 35 503 970 90
- max. recess depth 110 mm
 - min. recess depth 85 mm

ST 060 112 4809

mm [inches]



Flow rate chart



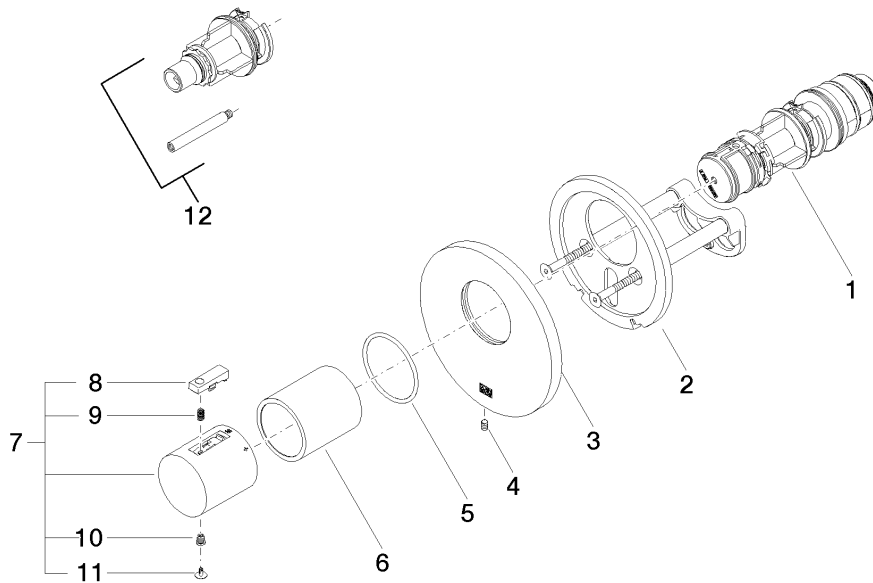
Certificates

WRAS_2011026.

DVGW_DW-
6512DN0706.

LGA_29930.

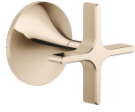
ST 060 112 4809



Spare parts list

No.	Item Number	Name	Quantity used	Delivery time
1	90 15 02 063 00 90	cartridge	1	2
2	90 11 01 196 00 90	base	1	2
3	09 11 02 537-47	cover	1	30
4	09 31 11 048 90	pin	1	2
5	90 14 10 049 00 90	seal	1	2
6	90 21 02 112 00-47	sleeve	1	30
7	90 17 33 004 00-47	handle	1	30
8	90 21 33 011 00-13	handle	1	2
9	90 16 02 027 00 90	spring	1	2
10	90 30 30 136 00 90	screw	1	2
11	90 31 20 049 00-13	plug	1	30
12	12 178 970 90	Extension 46 mm -	1	2

ST 060 112 4809



- rosette Ø 60 mm
- head part with cut-to-length spindle and sleeve
- WRAS 2011026, 2010066

	Champagne (22kt Gold)	36 607 809-47
	Chrome	36 607 809-00
	Brushed Platinum	36 607 809-06
	Platinum	36 607 809-08
	Dark Chrome	36 607 809-19
	Brushed Durabronze (23kt Gold)	36 607 809-28
	Brushed Bronze	36 607 809-42
	Brushed Champagne (22kt Gold)	36 607 809-46
	Brushed Dark Platinum	36 607 809-99

Required miscellaneous



- Wall valve 1/2" -** 35 607 970 90
- max. recess depth 145 mm
 - min. recess depth 75 mm



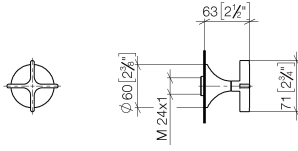
VAIA xTOOL Thermostat module with 2 valves - Champagne (22kt Gold)

VAIA

ST 060 112 4809

ST 060 112 4809

mm [inches]



Certificates

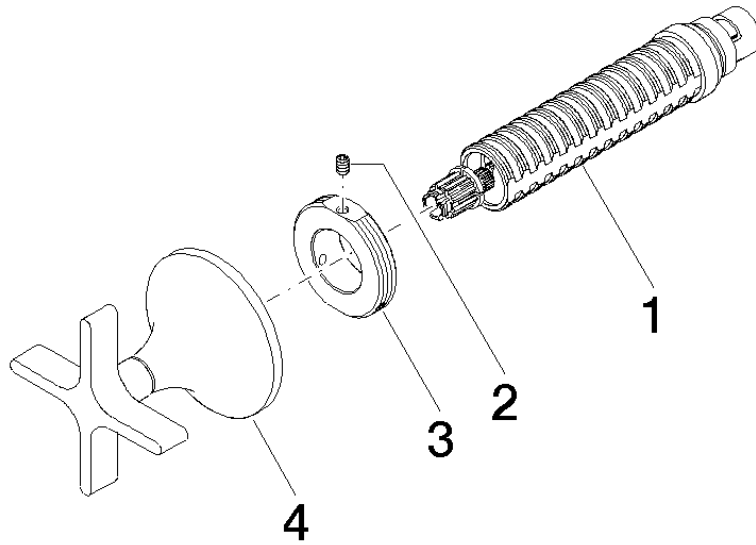
DVGW_DW-
6501DN0116.

WRAS_2011026.

LGA_29931.

WRAS_2010066.

DVGW_DW-
6512DN0706.



Spare parts list

No.	Item Number	Name	Quantity used	Delivery time
1	90 90 03 143 00 90	top	1	2
2	09 31 11 008 90	pin	1	2
3	09 21 02 163 90	disc	1	2
4	90 20 80 014 00-47	handle	1	30